



Giménez
Ganga®

MOSQUITO SCREENS

ENG





INDEX

MOSQUITO SCREENS	2
ROLLING SCREENS	8
MOSQUISAXUN 43	11
PREMIUM 65 ANTI-WIND	12
LATERAL DOOR 2020	14
PLEATED ECO AND KIT	16
PLEATED 27 LATERAL AND REVERSIBLE	18
PLEATED 27 VERTICAL	20
FOLDING DOOR	22
SLIDING DOOR	24
FIXED DOOR	25
COLOURS AND FINISHES	26

MOSQUITO SCREENS

VERSATILE IDEAS FOR PEACEFUL HOMES

Giménez Ganga mosquito screens guarantee the perfect level of protection against mosquitoes while ensuring optimum access to light and air, allowing balanced ventilation of the air in the room without fear of unwanted guests.

The wide range of mosquito screens with rolling, pleated, folding, fixed and sliding options will fit all types of windows and doors, always finding a solution that can guarantee user comfort.



MAXIMUM SECURITY

Total reliability against insects to guarantee peace of mind.



CHROMATIC VARIETY

A wide range of colours to suit all types of windows and doors.



HIGH QUALITY

The manufacture of profiles and fabrics following the strictest standards of durability.



VERSATILITY AND ADAPTABILITY

Variety of possibilities of use and installation that increases the chances of there always being a product for each situation.





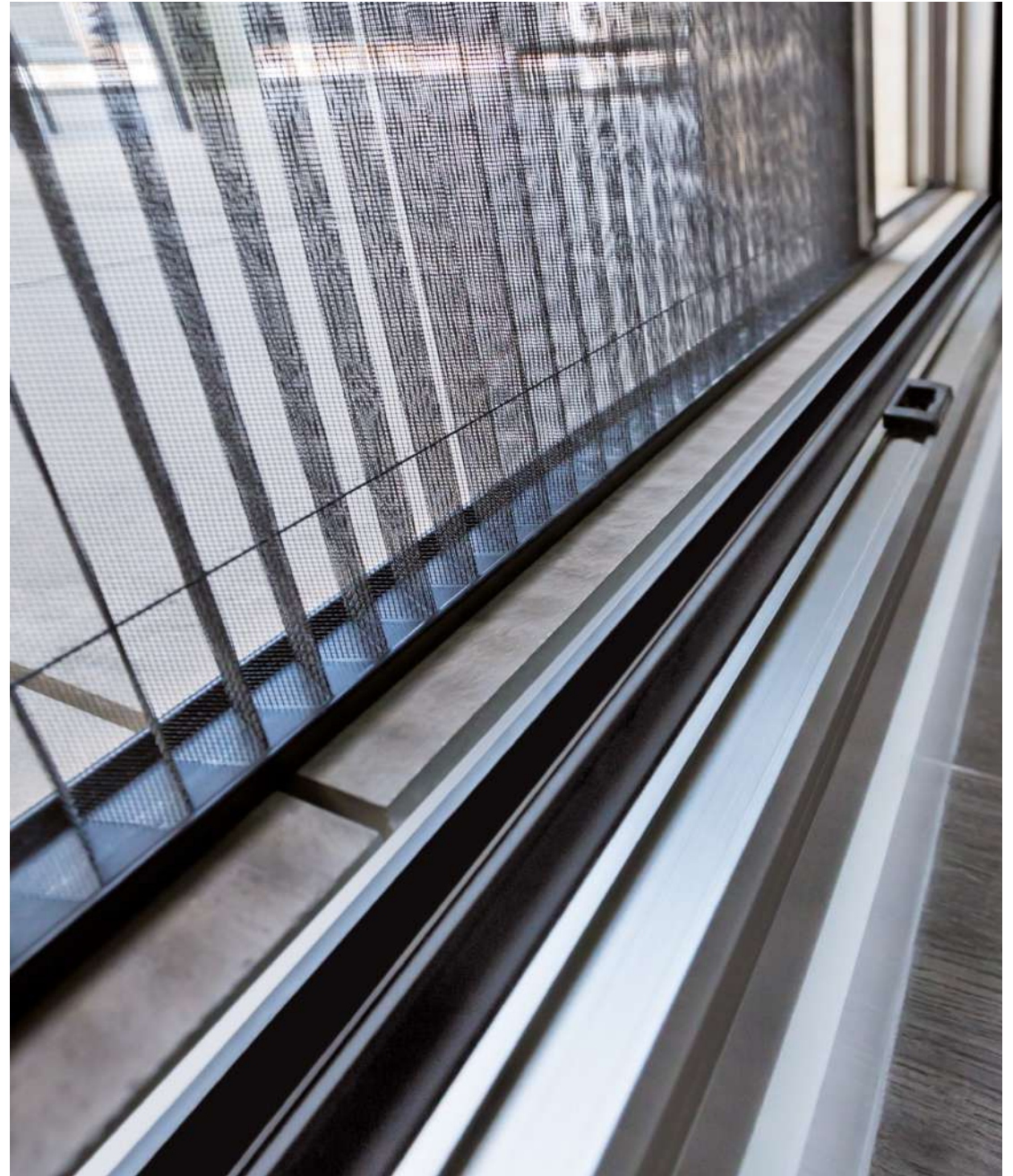


"Giménez Ganga mosquito screens guarantee the healthiest atmospheres."

THE MOST EFFECTIVE FORM OF PROTECTION

Giménez Ganga's systems are the most complete, practical and aesthetic on the market.

The wide range of models, colours and finishes mean that the mosquito screens can adapt to all kinds of pre-existing woodwork and are able to meet even the most demanding aesthetic requirements.



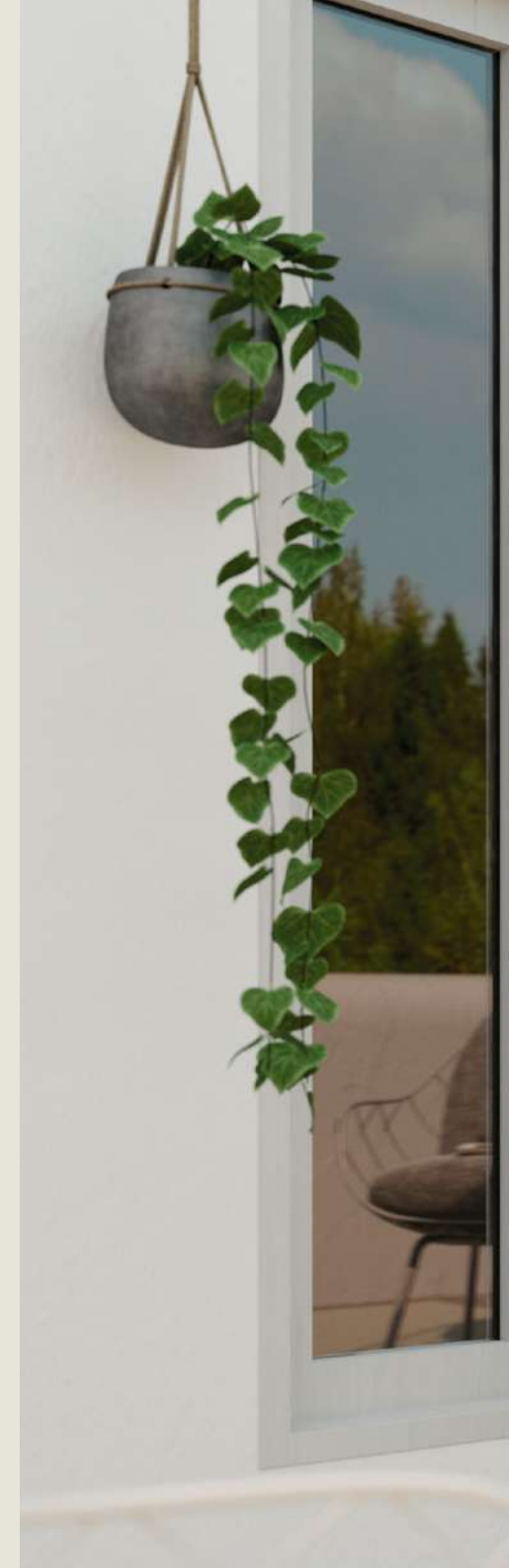
VISIBILITY AND VENTILATION

Mosquito screens from Giménez Ganga not only guarantee perfect protection against mosquitoes, but they also ensure access to light and air, perfectly ventilating the room and also preventing the entry of unwanted guests.

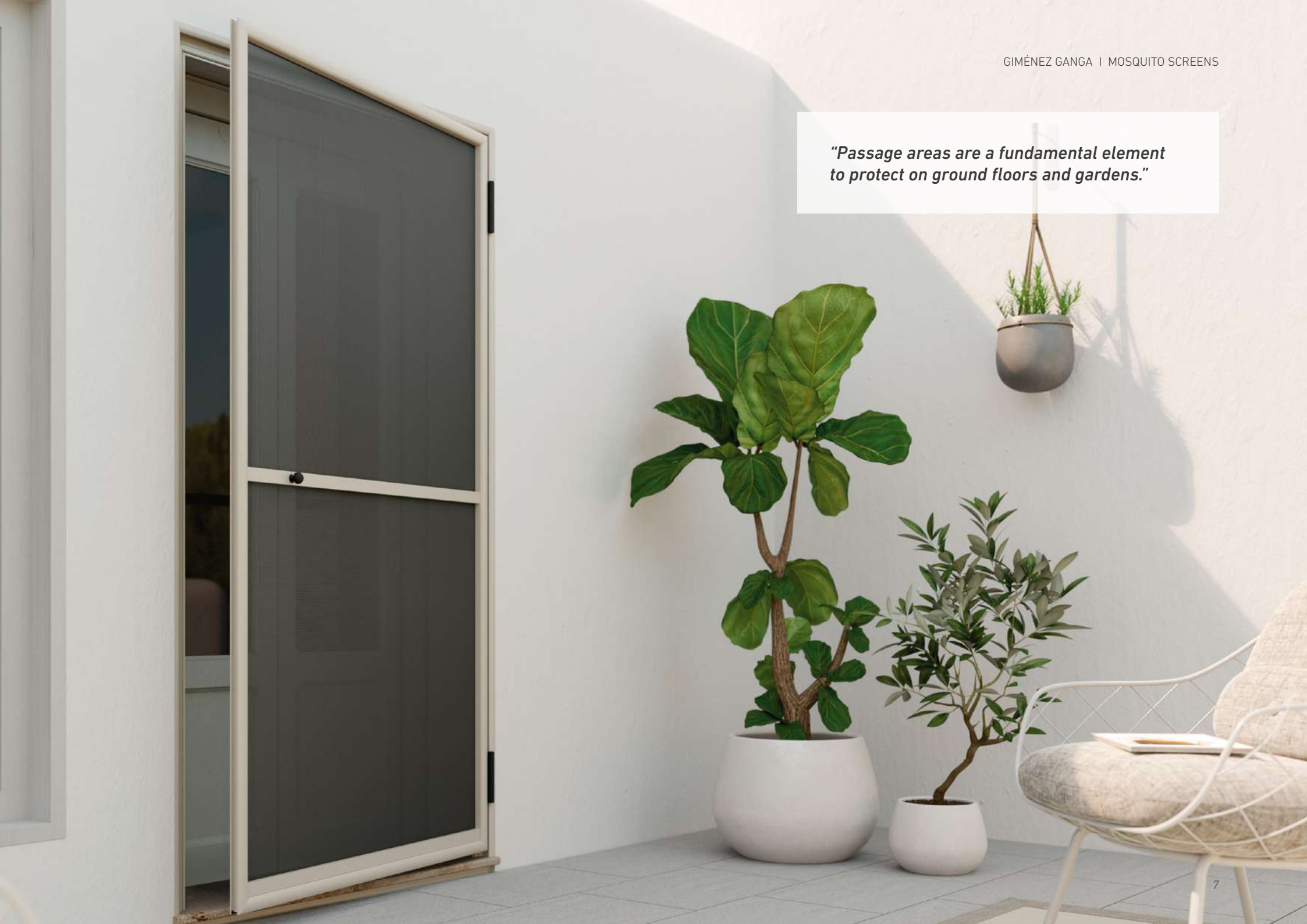


QUALITY AND TECHNOLOGY

The quality of the materials used and the design of each of our systems ensures that mosquito screens from Giménez Ganga will work reliably and comfortably for a long time.



“Passage areas are a fundamental element to protect on ground floors and gardens.”



ROLLING SCREENS

The most effective form
of protection

Giménez Ganga's systems are the most complete,
practical and aesthetic on the market.

The wide range of models, colours and finishes
mean that the mosquito screens can adapt to all
kinds of pre-existing woodwork and are able to meet
even the most demanding aesthetic requirements.



BOX DIMENSIONS
35 AND 43 mm



**VERTICAL
OPENING**



**SOLD
MANUFACTURED
AND IN LENGTH**



WINDOWS



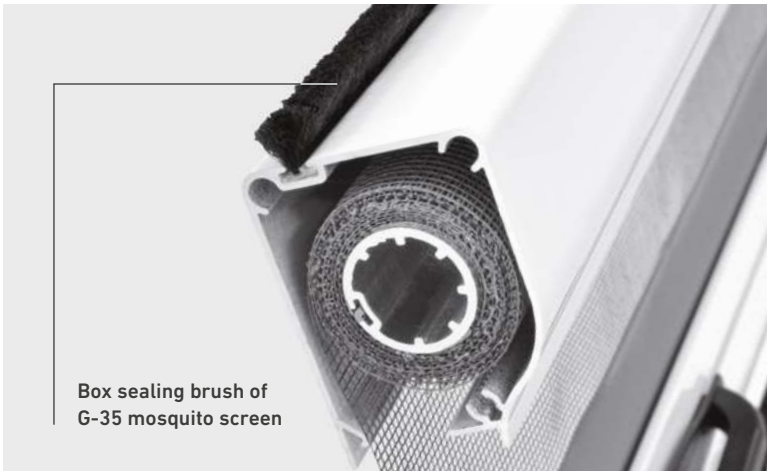
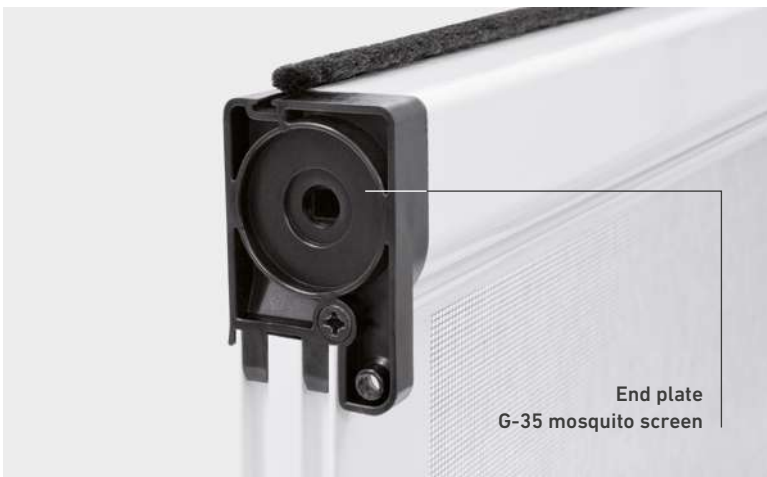
**TAILORED
MANUFACTURING**



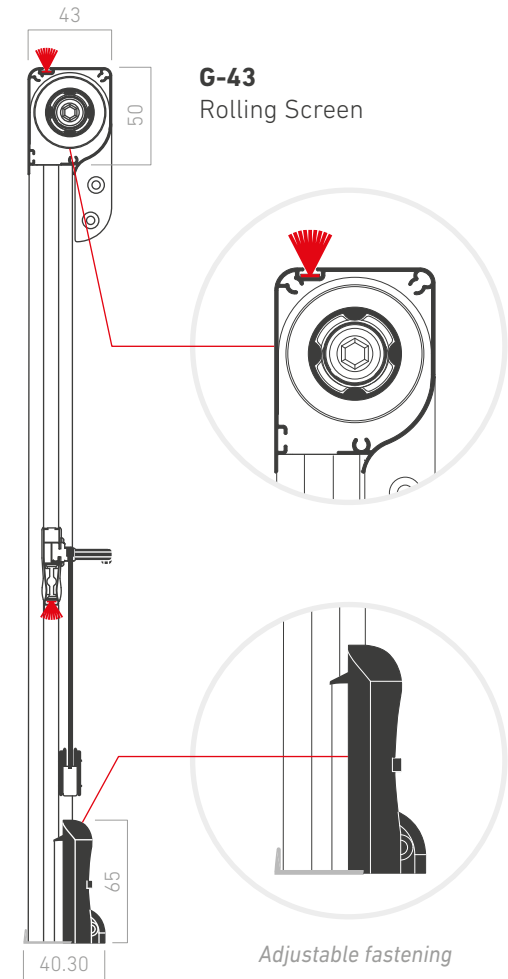
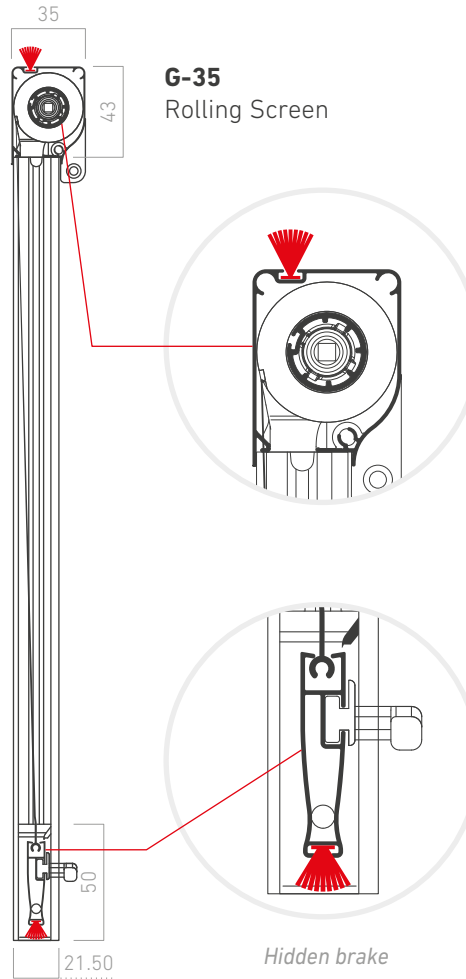
ROLLING SCREEN
35 mm



ROLLING SCREEN
43 mm



SECTION



TECHNICAL SPECIFICATIONS

	G-35	G-43
Maximum height	1.60 m	2.40 m
Maximum width	1.50 m	1.80 m

WIND RESISTANCE (Pa) EN 1932

Class 2 (HxL) 2,400 x 1,800 mm

ACCESSORIES

HIDDEN BRAKE SET

The new hidden brake developed by Giménez Ganga's R+D+i department, offers quick and easy assembly.

✓ *Only the mosquito screen guide is exposed, so installing the brake does not require drilling any holes.*

✓ *The position inside the guides can be adjusted in order to balance any unevenness in the window or door sill.*

✓ *Inserting and removing the terminal can be done quickly and easily by slightly tilting it with the operation levers.*



> THE HIDDEN BRAKE IS OPTIONAL FOR THE G-35 AND G-43 MODELS.

Only compatible with the Mosquisax anti-wind brush guide.



MOSQUISAXUN 43

The fusion of aesthetics with utility

A roller version where the screen fabric is replaced by fabrics from our Saxun technical curtain collection.

As such, with the Black-Out, Berlin Black-Out, Sax Screen 8505 and Sax Screen 3500 fabrics you can obtain a decorative, practical and highly functional system.

The colour range and technical specifications of each of our options can be found in the fabric sample book and on the Saxun website.



MOSQUISAXUN 43
Simple



BOX DIMENSIONS
43 mm



VERTICAL OPENING



SOLD MANUFACTURED AND IN LENGTH



WINDOWS



TAILORED MANUFACTURING

TECHNICAL SPECIFICATIONS

Fabrics	Height x Width
Black-Out	2.10 m x 1.70 m
Berlín Black-Out	1.60 m x 1.70 m
Screen 8505	1.70 m x 1.70 m
Sax Screen 3600	1.50 m x 1.70 m

FABRICS



Black-Out



Berlín Black-Out



Screen 8505



Sax Screen 3600

Discover these collections in saxun.com

PREMIUM 65 ANTI-WIND

Wind-resistant reliability

Designed to provide the greatest possible peace of mind in any space while being able to stand up to the challenges presented by the most complex climates.

An evolution that allows ventilation and the passage of breeze whilst keeping the spaces protected from insects.

Its zip-guided system prevents the fabric from coming out its guides due to accidental knocks or strong gusts of wind, as it provides class 6 resistance.



BOX DIMENSIONS
65 mm



**VERTICAL
OPENING**



**MOTORISED AND
MANUAL DRIVE**



**WINDOWS
AND DOORS**



**TAILORED
MANUFACTURING**



**SOLD
MANUFACTURED
AND IN LENGTH**



PREMIUM 65 ANTI-WIND
Simple



Chain winding
system



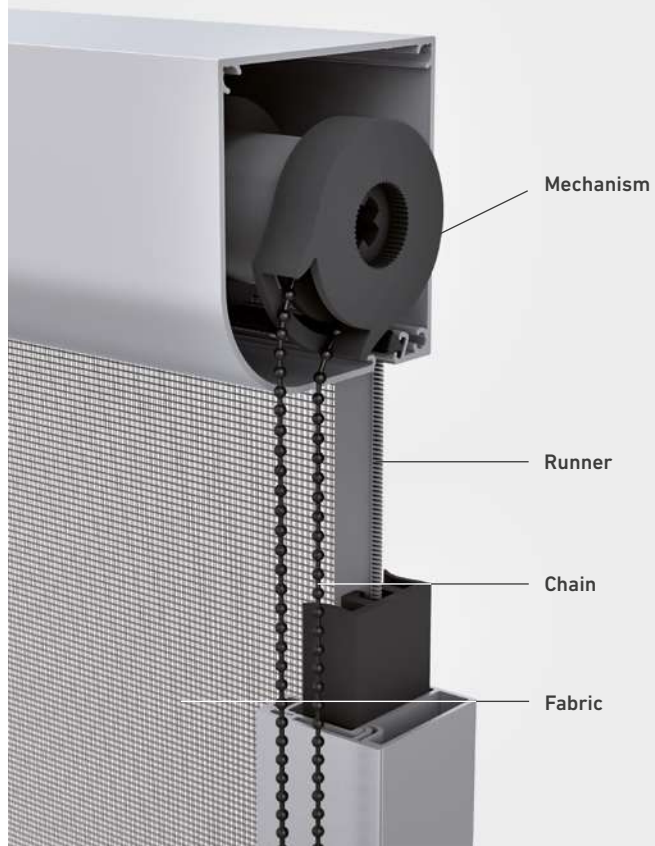
Counterweight
Saxun



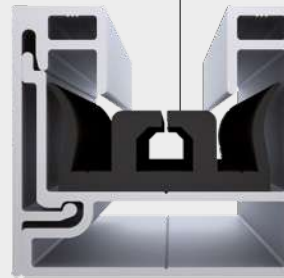
Load bar
33.5 x 18 mm

ZIP GUIDING

Thanks to this system, the fabric does not come out of its profile, always offering optimum wind resistance.



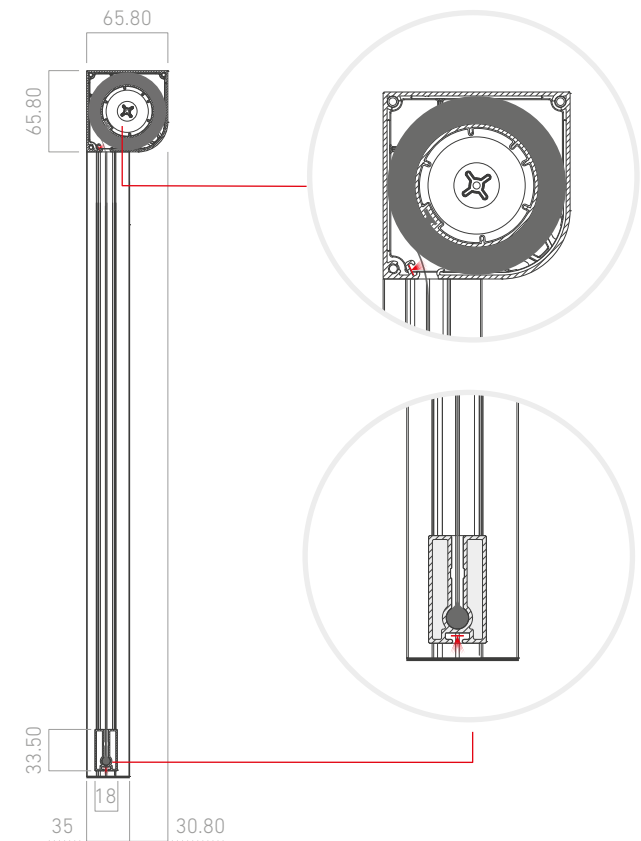
Runner guided profile



CO-EXTRUDED GUIDE PROFILE

Our zip-guided profile is created via a process of co-extrusion, where PVC and rubber are formed simultaneously.

SECTION



TECHNICAL SPECIFICATIONS

Maximum height	2.40 m
Maximum width	2.00 m

WIND RESISTANCE (Pa) EN 1932

Class 6 (HxL) 2,400 x 2,000 mm

NEW LATERAL DOOR 2020

A new dimension
in protection

This new model of Lateral Door is ideal for users who are looking for extra comfort when it comes to protecting their windows.

With ergonomic and controlled opening, its use will be simple for everyone in the home.

The 5 mm grounding guide makes it ideal for frequently used doors.



**LATERAL
OPENING
(LEFT, RIGHT)**



**1 OR 2
DOORS**



DOORS



**TAILORED
MANUFACTURING**

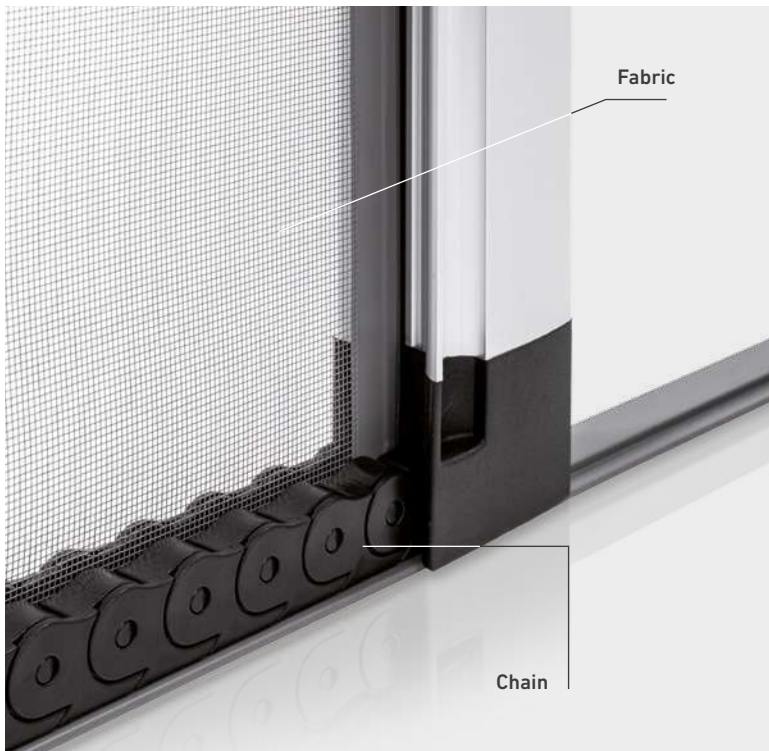


**SOLD
MANUFACTURED**

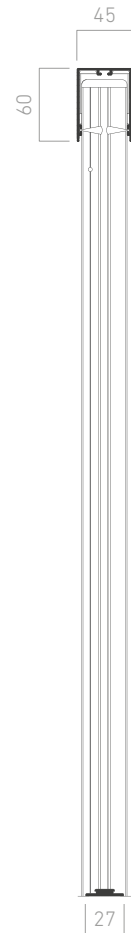


LATERAL
DOOR 2020
Double

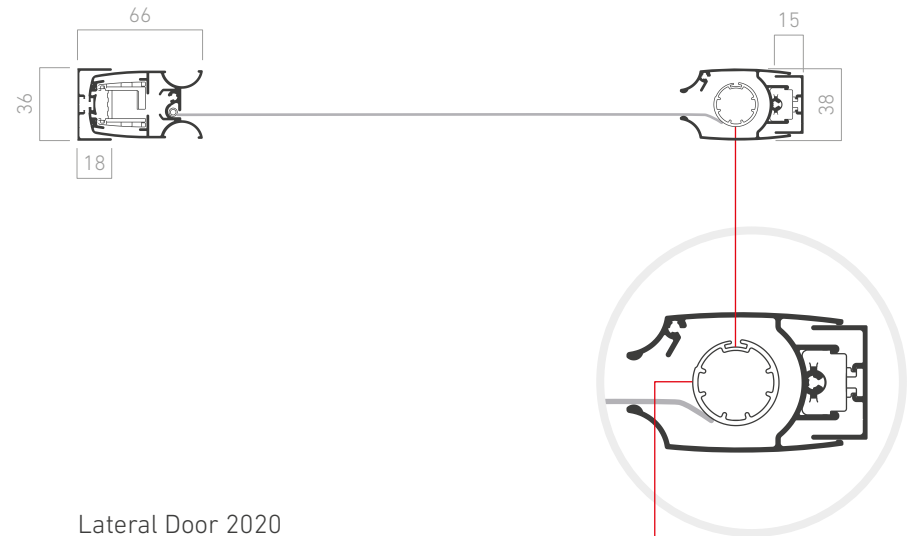
LATERAL
DOOR 2020
Simple



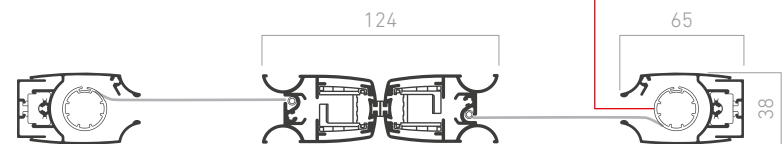
SECTION



Lateral Door 2020
Simple



Lateral Door 2020
Double



TECHNICAL SPECIFICATIONS

	Simple	Double
Maximum height	2.50 m	2.50 m
Maximum width	1.50 m	3.00 m

WIND RESISTANCE (Pa) EN 1932

Class 3 (HxL) 2,800 x 1,500 mm

PLEATED ECO AND KIT

Maximum toughness
to stand up to the
passage of time

Pleated mosquito screens are robust and effective, ideal for doors that are used constantly, such as terraces or gardens. Suitable for places where speed and ease of opening is vital.

It has several modulation options to cover certain openings which, because of their size, would not be able to be covered with a single sheet.



GUIA MEASURE
37,60 mm



LATERAL OPENING
(LEFT, RIGHT AND
ASYMMETRICAL)



**1, 2 OR MORE
LEAVES**



DOORS



SOLD AS A KIT



PLEATED ECO
Simple



PLEATED KIT
Double



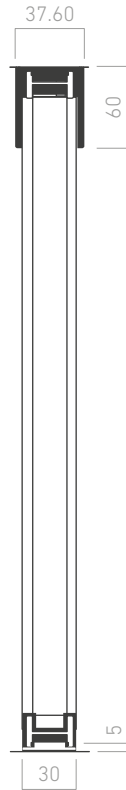
Guides and chains for sliding
The guide height does not obstruct passage.



Only 100 mm* for gathering
*For the 100 mm fabric kit.

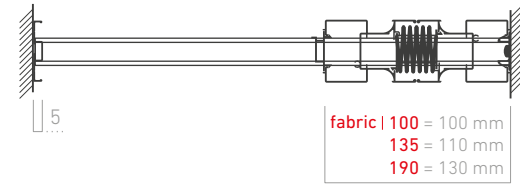
Gathering

SECTION

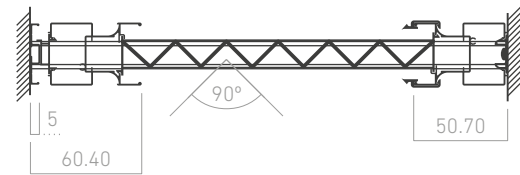


MODULATION OPTIONS

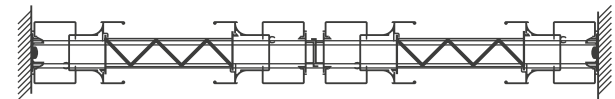
Pleated open



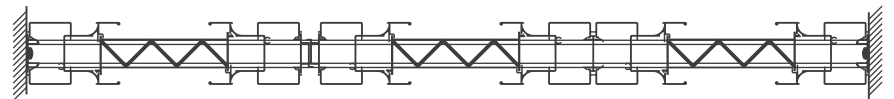
Pleated closed



Pleated double



Pleated triple or more



TECHNICAL SPECIFICATIONS

	ECO	KIT
Simple Height x Width	Kit 1.90-2.50 x 0.90	Kit 1.94-2.44 x 1.00
	Kit 1.90-2.50 x 1.20	Kit 1.94-2.44 x 1.35
	Kit 1.90-2.50 x 1.50	Kit 1.94-2.44 x 1.90
Double Height x Width	Kit 1.90-2.50 x 1.80	Kit 1.94-2.44 x 2.00
	Kit 1.90-2.50 x 2.40	Kit 1.94-2.44 x 2.70
	Kit 1.90-2.50 x 3.00	Kit 1.94-2.44 x 3.80

WIND RESISTANCE (Pa) EN 1932

Class 3 (HxL) KIT - 2,400 x 1,900 mm

PLEATED 27 LATERAL AND REVERSIBLE

The essence of
confined space

With a guide depth of only 27 mm, its installation is especially suitable in places where space is limited.

A mosquito screen that is suitable for doors, its movement can be made even easier thanks to the practical drive rod option.



GUIA MEASURE
27 mm



LATERAL OPENING
(LEFT, RIGHT AND
ASYMMETRICAL)



**TAILORED
MANUFACTURING**



DOORS



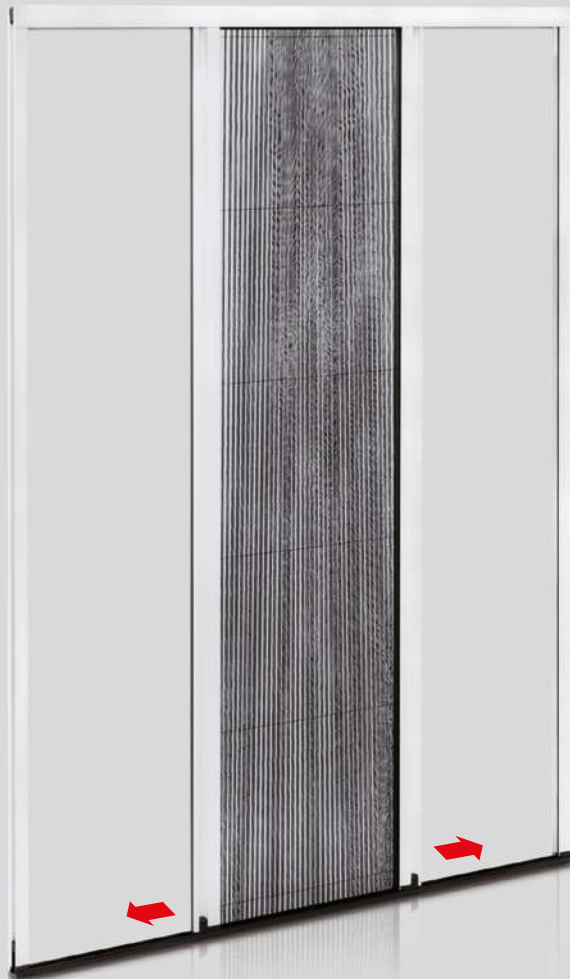
**SOLD
MANUFACTURED**



PLEATED 27 LATERAL
Double

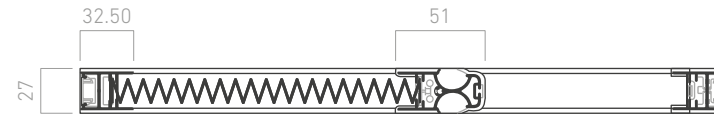
PLEATED 27 LATERAL
Simple

SECTION



PLEATED 27 REVERSIBLE
Simple

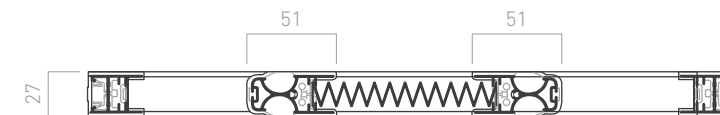
Pleated 27 Lateral
Simple



Pleated 27 Lateral
Double



Pleated 27 Reversible
Simple



TECHNICAL SPECIFICATIONS

	Lateral Simple	Lateral Double	Reversible Simple
Maximum height	2.60 m	2.60 m	2.60 m
Maximum width	3.00 m	* 4.50 m	3.00 m

* Maximum width for door 2.25 m.

WIND RESISTANCE (Pa) EN 1932

Class 3 (HxL) 2,400 x 1,400 mm

PLEATED 27 VERTICAL

Maximum functionality
in limited spaces

With a guide depth of only 27 mm, its installation
is especially suitable in places where space is limited.

A mosquito screen that is suitable for win-
dows, its movement can be made even easier
thanks to the to the practical drive rod option.



GUIA MEASURE
27 mm



**VERTICAL
OPENING**



**TAILORED
MANUFACTURING**



WINDOWS



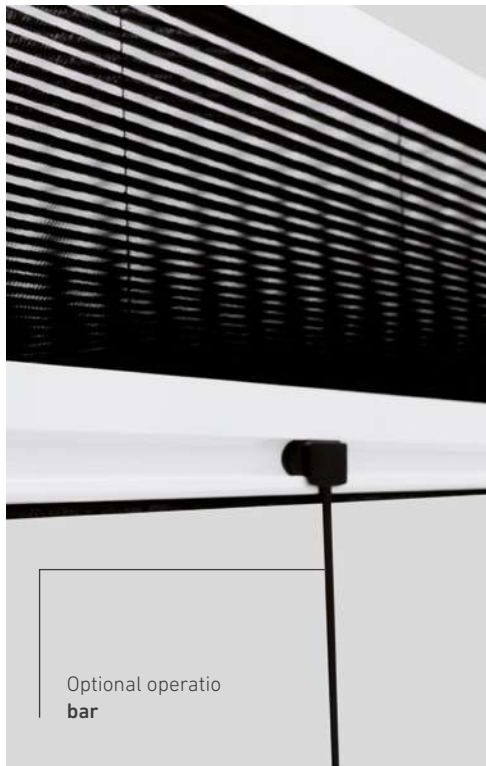
**SOLD
MANUFACTURED**



PLEATED 27 VERTICAL



Guide
for sliding

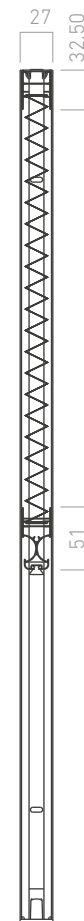
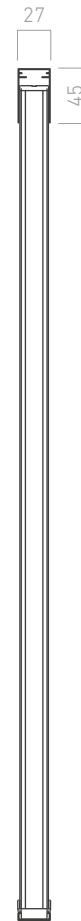


Optional operatio
bar



Optional operatio
bar

SECTION



TECHNICAL SPECIFICATIONS

	Vertical
Maximum height	2.60 m
Maximum width	1.40 m

WIND RESISTANCE (Pa) EN 1932

Class 3 (HxL) 2,400 x 1,900 mm

FOLDING DOOR

Protecting entry for a lifetime

It is the perfect solution for areas on the ground floor that are constantly used or that provide access to gardens.

Its use, thanks to its folding opening, is simple and comfortable thanks to its knob or handle.

It can be installed with a perimeter overlap which can hide irregularities caused by the frame on which it is installed.



**FOLDING
OPENING**



DOORS



**1 OR 2
LEAVES**



**TAILORED
MANUFACTURING**

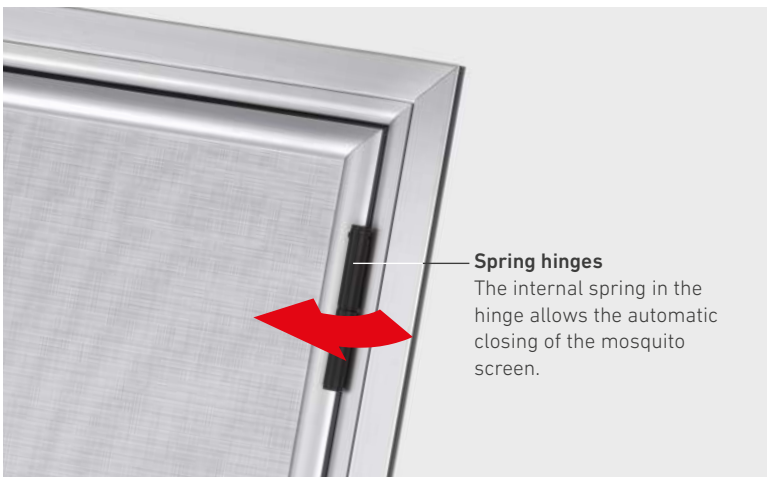


**SOLD
MANUFACTURED**



PUERTA
ABATIBLE
Double

PUERTA
ABATIBLE
Simple



Spring hinges
The internal spring in the hinge allows the automatic closing of the mosquito screen.

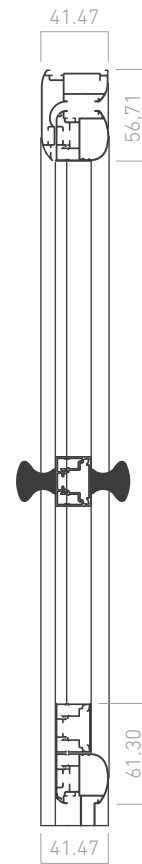


Cut at 45° with special angles
This type of mechanising, in addition to offering great aesthetic value, enhances the mosquito screen's resistance.

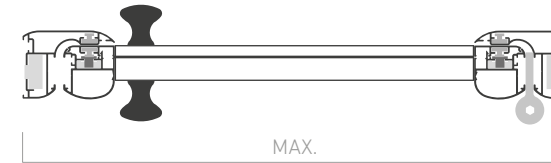


Doorknob
Folding door mosquito screen simple.

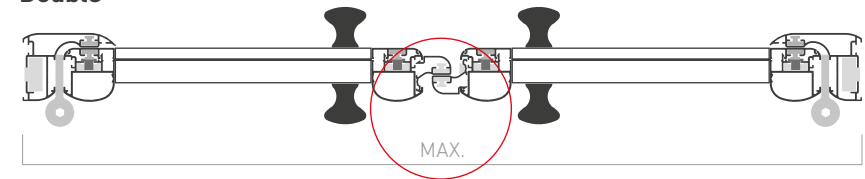
SECTION



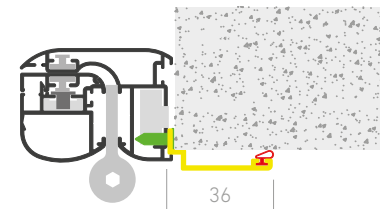
Folding door
Simple



Folding door
Double



Folding door
overlap



IMPORTANT

Extruded aluminium overlap that covers the joint of the frame and the outer reinforcement.

TECHNICAL SPECIFICATIONS

	Simple	Double
Maximum height	2.20 m	2.20 m
Maximum width	1.10 m	2.20 m

Assembly option without width limitation.

WIND RESISTANCE (Pa) EN 1932

Class 6 (HxL) 2,400 x 1,500 mm

SLIDING DOOR

The effectiveness of maximum smoothness

Easy to use and install, it can be used for windows and doors.

It slides smoothly over the interior profile of the woodwork thanks to its strong bearings.

Its exterior rubber seal merges into the frames, creating a 100% profile seal, providing extra security against the entrance of insects.



**LATERAL
OPENING**



**WINDOWS
AND DOORS**



**TAILORED
MANUFACTURING**



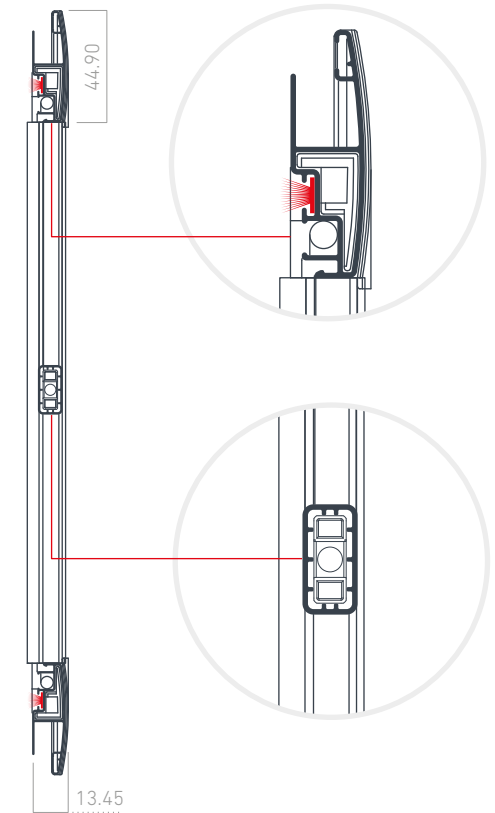
**SOLD
MANUFACTURED
AND IN LENGTH**



Top corner detail
with weather strip and sealing brush



SECTION



TECHNICAL SPECIFICATIONS

Maximum height 2.40 m

Maximum width 1.50 m

WIND RESISTANCE (Pa) EN 1932

Class 6 (HxL) 2,400 x 1,500 mm

FIXED DOOR

Simplicity without entry from the outside

Ideal for simple and economical systems that require an installation where access to the outside is not necessary.

Installation is very simple thanks to stainless steel brackets which are screwed to the window and upon which the mosquito screen is installed.



WINDOWS AND DOORS



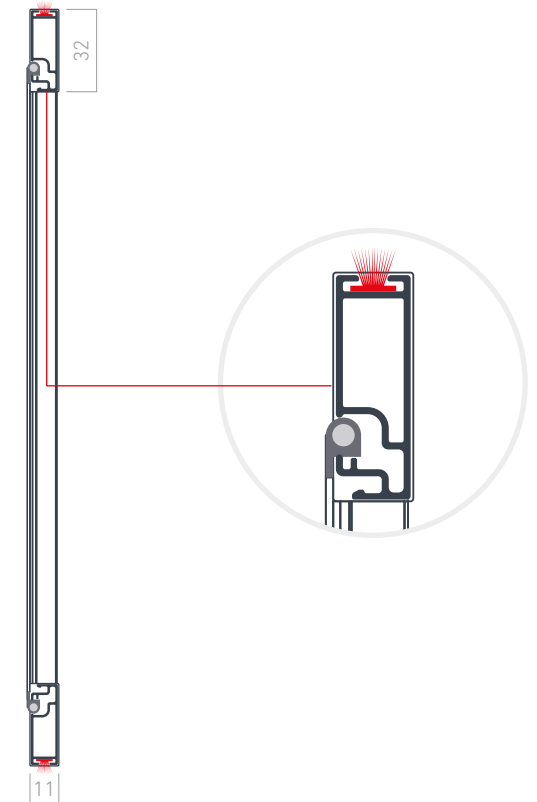
TAILORED MANUFACTURING



SOLD MANUFACTURED AND IN LENGTH



SECTION



TECHNICAL SPECIFICATIONS

Maximum height	2.40 m
Maximum width	1.50 m

WIND RESISTANCE (Pa) EN 1932

Class 6 (HxL) 2,400 x 1,500 mm

PROFILING COLOURS

WHITE STANDARD RAL

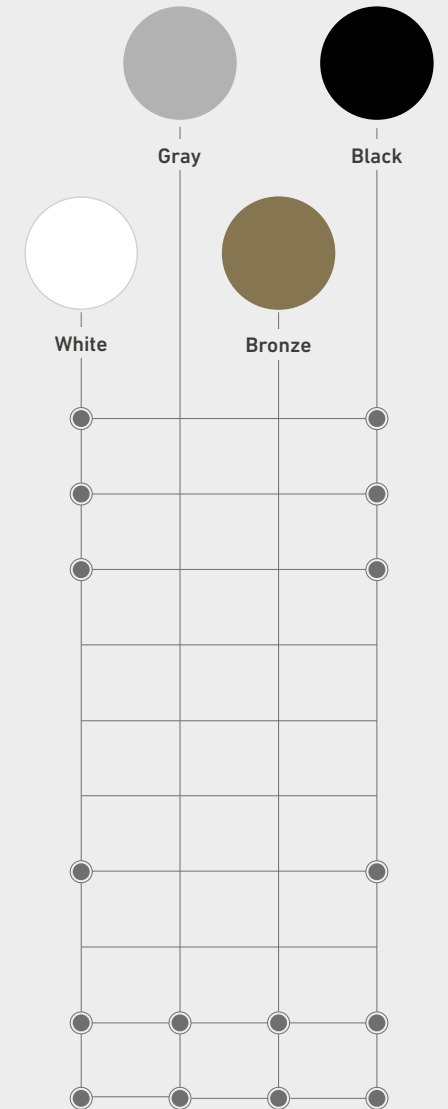
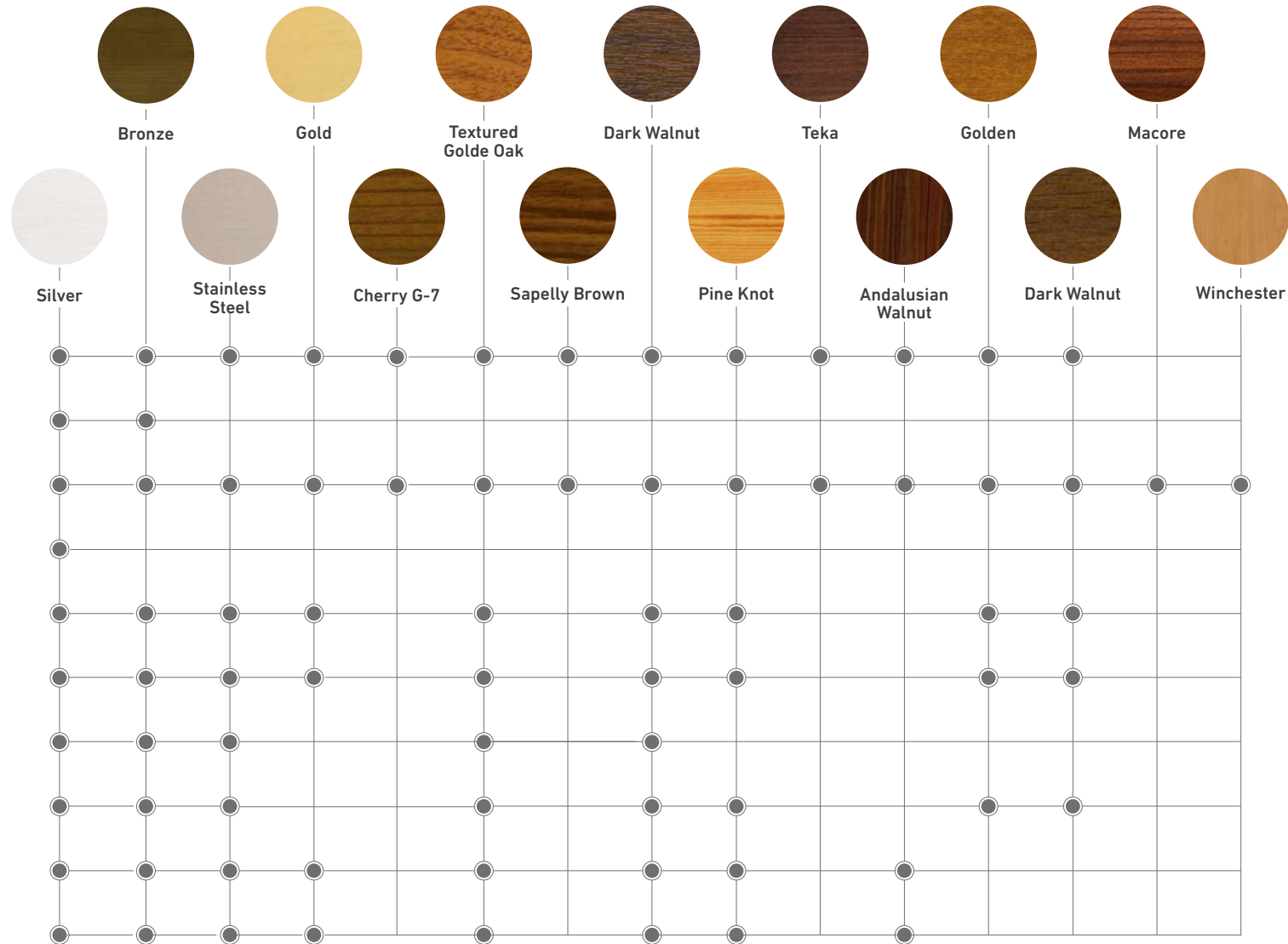
	White	Ivory 1015	Burgundy 3005	Burgundy 3007	Green 6005	Green 6009	Gray 7012	Gray 7016	Textured Gray 7016	Gray 7022	Graphite	Brown 8014	Brown 8017	Brown 8019	Matte black 9011	
ROLLING C-35 FABRIC 1.60	●	●	●	●	●	●	●	●	●	●	●	●	●	●	●	●
ROLLING C-43 FABRIC 1.80	●															
ROLLING C-43 FABRIC 2.40	●	●	●	●	●	●	●	●	●	●	●	●	●	●	●	●
PREMIUM 65 ANTI-WIND	●															
LATERAL DOOR 2020	●	●	●		●	●	●	●	●	●	●	●	●	●	●	●
PLEATED	●	●	●		●	●	●	●	●	●	●	●	●	●	●	●
PLEATED 27	●				●	●	●	●	●	●	●	●	●	●	●	●
FOLDING DOOR	●	●	●		●	●	●	●	●	●	●	●	●	●	●	●
SLIDING DOOR	●	●	●		●	●	●	●	●	●	●	●	●	●	●	●
FIXED DOOR	●	●	●		●	●	●	●	●	●	●	●	●	●	●	●

ACCESSORY COLOURS

ANODIZED

LACQUERED WOOD

LAYERED WOOD



The shades of these colours are for guidance only. They may differ from the actual colour due to the printing process.



Giménez Ganga, S.L.U.

Polígono Industrial El Castillo
C/ Roma, 4
03630 Sax (Alicante) Spain

t. (+34) 965 474 050 | 965 474 205
f. (+34) 965 474 563

info@gimenezganga.com

gimenezganga.com

Becoming a large company is much easier when customer and user satisfaction is placed as the fundamental objective of the whole process of hard work, taking great care from the moment an order is placed until it is delivered to the customer.

Constant innovation focused on everyday application has allowed us to solve new problems and create more efficient and durable designs.

Industrial capabilities made up of more than 700 workers and 90,000 m² of facilities all aimed at fulfilling one goal: to improve every day and be at the service of our customers.

